

TREK-722/723

NEW



RISC All-in-One Mobile Data Terminal

Features

- 5" & 7" LCD (800 x 480) with resistive touchscreen
- 24/7 monitoring & reporting
- WinCE6.0 & optional Android 2.3.4
- Built-in CAN bus with J1939 protocol
- Built-in GPS with AGPS feature, BT, CDMA/GPRS/HSPA+



Introduction

TREK-722/723 is a RISC platform with 5"/7" display all-in-one Mobile Data Terminal (MDT). The radio frequency options and programmable function keys make TREK-722/723 suitable for local fleet management, especially small truck, local delivery, government fleet and taxi. It is designed with vehicle power compliant to ISO7637-2 & SAE J1113 ensuring stability in a car with a "dirty" power system. With Suspend/Wakeup feature, TREK-722/723 supports a 24/7 monitoring mechanism with periodic, digital input & WWAN wakeup.

Specifications

	Model	TREK-722	TREK-723	
Display	Type	5" industrial grade wide screen TFT LCD	7" industrial grade wide screen TFT LCD	
	Luminance	350 cd/m ² (without touchscreen), auto brightness controlled by light sensor	400 cd/m ² (without touchscreen), auto brightness controlled by light sensor	
	Resolution	800 x 480	800 x 480	
	View Angle (R/L/B/T)	70/70/70/50	70/70/70/50	
	Contrast Ratio	500 (typical)	500 (typical)	
	LED Lifetime	20000 hr (minimum)	20000 hr (minimum)	
Touchscreen	Type	4-wire resistive with flat panel design		
	Light Transmission	81±3%		
Kernel	CPU	TI ARM Cortex-A8 AM3703 800 MHz		
	RAM	On board 256MB Mobile LPDDR		
	Storage	On board NAND type 2GB for boot loader, OS & customer's APs 1 x push-push type SD slot		
	Watchdog	Yes		
	RTC	Yes with one time swappable 200 mAh lithium coin battery		
Functions	Operating System	WinCE 6.0 R3 core version / Android Gingerbread 2.3.4 support by project		
	GPS (Optional)	Built-in 50 channel u-blox LEA-6S with internal antenna		
	Bluetooth (Optional)	Built-in Class 2 Bluetooth V2.1+EDR with internal antenna		
	WWAN (Optional)	<ul style="list-style-type: none"> ▪ Built-in Quad-band GPRS module Cinterion TC63i with internal antenna ▪ Built-in UMTS/HSPA+ module Cinterion PH8 with internal antenna ▪ Built-in CDMA/EV-DO module Sierra Wireless MC5728V with internal antenna 		
		WLAN (Optional)	TREK-723 optional supports 802.11 b/g/n with SMA connector for external antenna	
		Audio	1 x built-in 2 W mono speaker 1 x MIC input, 1 x mono line-in, 1 x stereo line-out via high density cable (*1)	
	Video	Video	1 x CVBS input via high density cable (*1) 1 x Y/C input via high density cable (*1)	
		USB Client	1 x USB client I/F via USB mini-B connector with rubber door protection	
		USB Host	1 x USB host I/F via USB A-type connector (500 mA) with rubber door protection	
			1 x USB host I/F via high density cable (*1) with USB A-type connector (500 mA)	
		Serial Port	2 x 4-wire RS-232 via high density cable (*1)	
		Digital Input/Output	2 x isolated digital input (DI) which can wake up system via high density cable (*1)	
2 x isolated digital output (DO) via high density cable (*1)				
CAN bus		1 x CAN bus 2.0a/b with J1939 protocol via high density cable (*1)		
Function Key		5 x programmable function keys with green LED		
Power Supply		Input Voltage	12 V/24 V option supports 6 ~ 36 V car power design with ISO7637-2 & SAE J1113 compliant	
	Ignition ON/OFF	Power on delay, default 2 seconds; Power off delay, default 5 seconds; Hardware power off delay, default 30 seconds. SW configurable		
	Suspend/Wakeup	<300 mW low power saving mode with periodical, DI, WWAN wakeup mechanism		
Mechanical	Material	Plastic chassis with aluminum heat sink		
	Ingress Protection	IP54 except I/O plate at the bottom		
	Weight	650 grams (TREK-722) / 850 grams (TREK-723)		
	Dimensions (W x H x D)	165 x 115 x 43 mm (TREK-722) / 213 x 145 x 45 mm (TREK-723)		

*1. High density cable is an optional item for ordering.

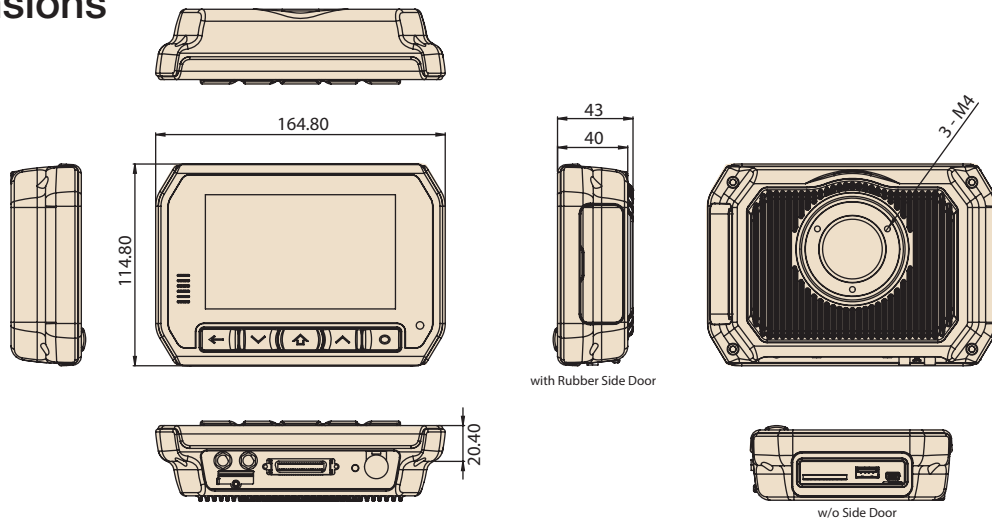
TREK-722/723

Environmental Specifications	Operating Temperature	-20 ~ 60° C (TREK-722) / -30 ~ 70° C (TREK-723)
	Storage Temperature	-30 ~ 80° C
	Relative Humidity	10 ~ 90% @ 40° C (non-condensing)
	Shock/Vibration	Compliant to MIL-STD-810G, SAE J1455, Class 5M3 according to DIN EN 60721-3-5
	Certifications	CE, FCC, UL, CUL, CB, PTCRB, CCC

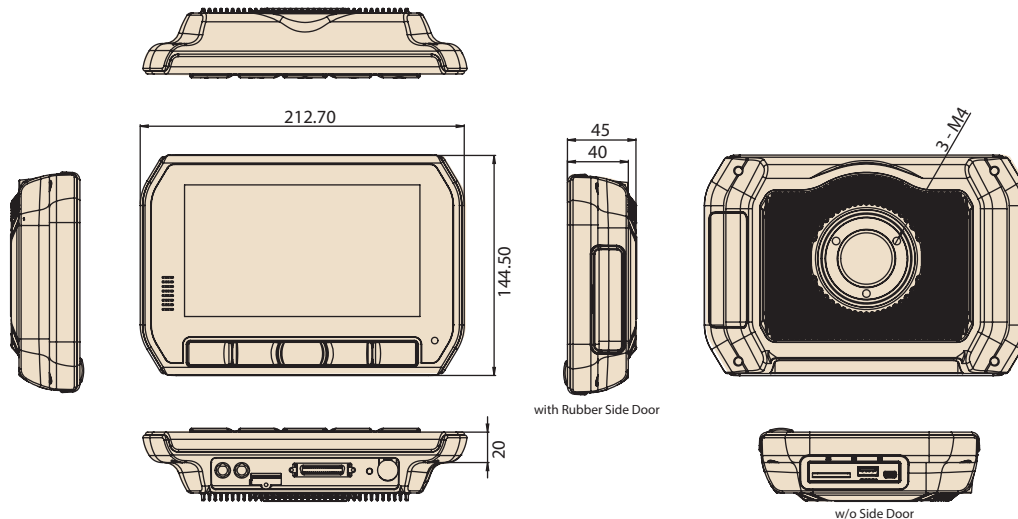
Dimensions

Unit: mm

TREK-722



TREK-723



Ordering Information

Part Number	Description
TREK-722R-A0E	TREK-722 barebone (GPRS/HSPA+ dedicated)
TREK-722R-B0E	TREK-722 barebone (CDMA dedicated)
TREK-722R-CBCEA0E	TREK-722R-A0E w/ GPS, CDMA, BT, CE
TREK-722R-GBCEA0E	TREK-722R-A0E w/ GPS, GPRS, BT, CE
TREK-722R-HBCEA0E	TREK-722R-A0E w/ GPS, HSPA, BT, CE
TREK-723R-A0E	TREK-723 barebone (GPRS/HSPA+ dedicated)
TREK-723R-B0E	TREK-723 barebone (CDMA dedicated)
TREK-723R-CBCEA0E	TREK-723R-A0E w/ GPS, CDMA, BT, CE
TREK-723R-GBCEA0E	TREK-723R-A0E w/ GPS, GPRS, BT, CE
TREK-723R-HBCEA0E	TREK-723R-A0E w/ GPS, HSPA, BT, CE

Optional Items

Part Number	Description
1700020042	A Cable MDR 40P/USB-A(M)+Audio Jack*2+DC Jack+BN
1700019611	Cigarette lighter cable for testing purposes (30cm)
9666074302E	19V adapter for TREK-743 test purposes
RAM-MOUNT-02	VESA RAM mount w/2.5" DIA. base,1.5" ball
RAM-MOUNT-07E	75mm VESA base, RAM-202U, and socket ARM