

PCM-27J3AU

3-Port Audio Stereo, mPCIe, 3.5 mm Jack

NEW



iDoor RoHS COMPLIANT 2009/REACH CE FCC

Features

- Meets Advantech Standard iDoor Technology
- 3 x 3.5 mm Jack (Line-in, Line-out, MIC-in)
- 102 dB Signal-to-Noise Ratio (A-weighting) for DAC output
- 97 dB Signal-to-Noise Ratio (A-weighting) for ADC input
- All DACs/ADCs support 44.1/48/96/192 kHz sample rate
- Supports two stereo digital microphone inputs
- S/PDIF-OUT supports 16/20/24-bit format and 44.1/48/96/192 kHz rate
- Supports Embedded Automation PC (UNO-2200/2300 series)
- Supports Control DIN-Rail PC (UNO-1300/1400 series)
- Supports Control Cabinet PC (UNO-3200/3300/3400 series)
- Supports Control Panel Computers (TPC-xx81/xx82 series)
- Supports Thin Client Panel Computers (TPC-xx51 series)

Introduction

The PCM-27 series are categorized as digital/Analog input/output modules from Advantech iDoor Technology. They are all compatible with the PCI Express Mini Card Specification Revision 1.2, including Isolated / Non-Isolated RS-232/422/485 communication cards for automation control, Wi-Fi/3G/GPS/GSM/LTE wireless communication models for data exchange during the management and machine level of automation application, Zigbee module as an IoT terminal or controller and PoE function for smart camera in detect inspection application of production. This is a flexible design that enables customers to customize their features which meet iDoor Technology.

Specifications

General

- **Bus Type** PCI Express Mini Card Revision TM 2.0 (USB differential)
- **Certification** CE, FCC class A
- **Connector** 3 x 3.5 mm Jack (1/8") (Line-in, Line-out, MIC-in)
- **Dimensions** Module: 51 x 30 x 12.4 mm (2" x 1.18" x 0.49")
- **I/O Plate:** 81 x 19.4 x 41 mm (3.19" x 0.76" x 1.61")
- **Power Consumption** 25 mW per channel @ 5 V_{DC}

Communication

- **Audio Chipset** Realtek ALC286S-VC
- **Channels** 4-channels (supports independent 2 stereo channels for DAC/ADC)
- **Input/Output Full-Scale Voltage** 1.3/1.2 V_{rms} (input/output)
- **Analog Playback/Recording Sample Rate and Resolution** 44.1/48/96/192 kHz @ 24 bit
- **Signal to Noise Ratio (SNR)** 120 dB for DAC output; 97 dB for ADC input

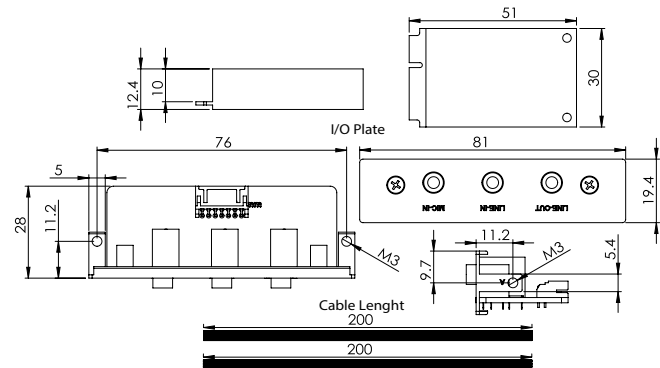
Software

- **OS Support** Microsoft® Windows® XP/7/8

Environment

- **Humidity (Operating)** 5-95% RH, non-condensing
- **Operating Temperature** -20 ~ 60°C (-4 ~ 140°F)
- **Storage Temperature** -40 ~ 85°C (-40 ~ 185°F)

Dimensions



Ordering Information

- **PCM-27J3AU-AE** 3-Port Audio Stereo, mPCIe, 3.5 mm Jack