

EKI-6332GN

IEEE 802.11 b/g/n Wi-Fi AP/Client



Features

- Compliant with IEEE 802.11 b/g/n
- IP55 waterproof certification
- External RP-SMA connectors for 2T2R antennae
- High output power
- MIMO 2 x 2 11n
- Passive 24 V PoE
- WPA/WPA2-Enterprise encryption for a highly secure wireless network
- WEP/WPA/WPA2/ IEEE 802.1x authentication support
- Spanning Tree and IGMP snooping protocol support

Introduction

The EKI-6332GN is a feature rich wireless AP/Client which provides a reliable wireless connectivity for industrial environments. The PoE injector enhances flexibility in deployment of this AP/Client even where the DC power supply is hard to fulfill. As an 802.11n compliant device, EKI-6332GN provides 6 times higher data rates than legacy 802.11g devices. With the support of STP, WMM and IGMP snooping protocols, EKI-6332GN effectively improves the reliability of wireless connectivity, especially in applications that need high reliability and high throughput data transmission. To secure wireless connections, EKI-6332GN implements the latest encryption technologies including WPA2/WPA/802.1x for powerful security authentication.

Specifications

Standard Support

- **Wireless** IEEE 802.11b/g/n
- **Ethernet** IEEE 802.3u MDI / MDIX 10/100 Fast Ethernet
- **LAN** IEEE 802.11b/g wireless LAN interface
IEEE 802.11n wireless LAN standard
Passive 24 V PoE, max. distance: 50 meters
- **Certification** FCC 15B/C
EN300328 V181
EN301489 -1/-17
Telec
EN55022/24
EN60950
- **Data Rates** 11b: 11M, 5.5M, 2M, 1Mbps
11g: 54M, 48M, 36M, 24M, 18M, 12M, 9M, 6Mbps
11n: HT20 MCS0-15 / HT40 MCS0-15

Physical Specifications

- **Power** DC 24 V / 1A; AC Adapter 100 V ~ 240 V
- **Dimensions (W x H x D)** 111 x 256 x 48 mm (4.37" x 10.08" x 1.89")
- **Mounting** Wall, Pole
- **Weight** 0.5 Kg

Environment

- **Operating Temperature** Non Heater : -20 ~ 70°C (-4 ~ 158°F)
- **Storage Temperature** -40 ~ 70° C (-40 ~ 158° F)
- **Humidity** 10% ~ 95% non-condensing

Interface Operation Modes

- Access Point (AP) / Client

Antenna

- Default external 5 dBi Omni antenna
- 2 x RP-SMA connectors (female) for RP-SMA antennae (male)

Other Features

- **Management** Telnet, FTP, SNMP, Web UI
- **Wireless** Radio on/off, WMM/Regatta Mode, Output Power Control, Fragmentation Length, Beacon Interval, RTS/CTS threshold, DTIM Interval,
- **Security** Open System , Shared Key, Lagacy 8021X, WPA, WPA2, WPA-PSK (TKIP), WPA2-PSK(AES)

Modulation Techniques

- **IEEE 802.11n** OFDM (BPSK, QPSK, 16-QAM, 64-QAM)
- **IEEE 802.11b** DSSS (DBPSK, DQPSK, CCK)
- **IEEE 802.11g** OFDM (BPSK, QPSK, 16-QAM, 64-QAM)

Channel Support

- **IEEE 802.11b/g/n** HT20
FCC: CH1 ~ CH11; ETSI: CH1 ~ CH13
- **IEEE 802.11gn** HT40
FCC: CH3 ~ CH9; ETSI: CH3 ~ CH11

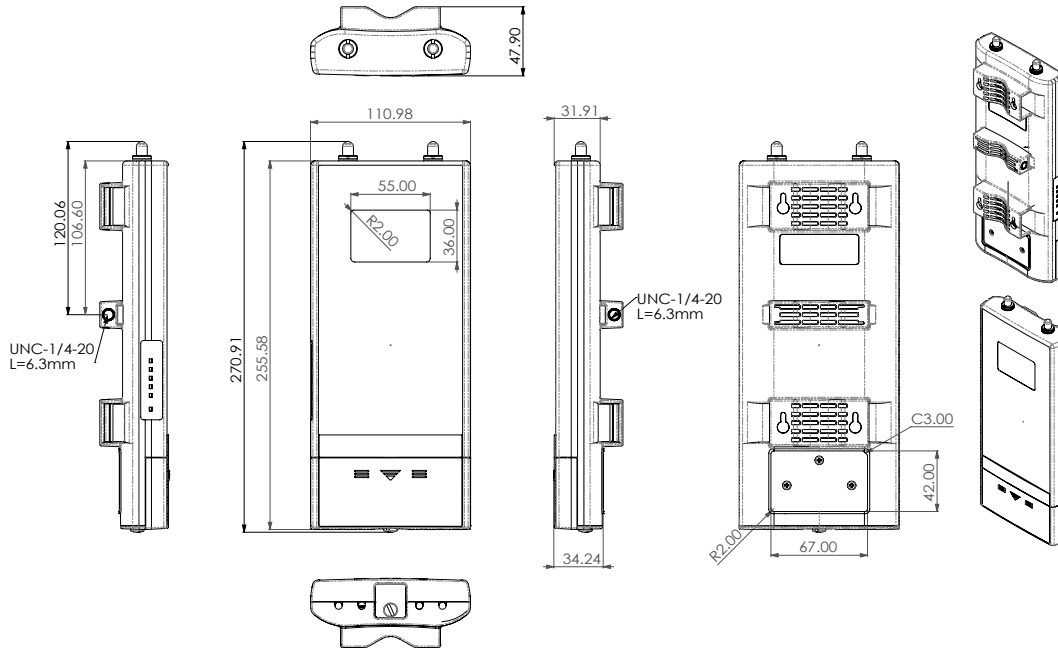
Wireless Transmission Rates

- **Transmitted Power*** 802.11b: 27 dBm
802.11g: 25 dBm @ 6 Mbps, 23 dBm @ 54 Mbps
802.11gn HT20: 27 dBm @ MCS0/8, 23 dBm @ MCS7/15
802.11gn HT40: 26 dBm @ MCS0/8, 22 dBm @ MCS7/15

*Note: The listed value is the target power calibrated in the card. The actual power will vary depending on each country's regulation

Dimensions

Unit: [mm]



Panel Cut-out Dimensions: 111 x 256 x 48 mm

Receiver Sensitivity

- **802.11b Sensitivity** -91 dBm @ 1 Mbps; -85 dBm @ 11 Mbps
- **802.11g Sensitivity** -89 dBm @ 6 Mbps; -70 dBm @ 54 Mbps
- **802.11n HT20** -83 dBm @ MCS0/8; -65 dBm @ MCS7/15
- **802.11n HT40** -80 dBm @ MCS0/8; -62 dBm @ MCS7/15

Ordering Information

- **EKI-6332GN** 802.11 b/g/n Wireless AP/Client (US)
- **EKI-6332GN-EU** 802.11 b/g/n Wireless AP/Client (EU)