

ARK-6622

Compact Embedded Mini-ITX Chassis with One Expansion Slot



Features

- Mini-ITX chassis supports front I/O interfaces and one expansion slot
- Shockproof disk drive bay for up to two 2.5" hard disks
- Bottom door for access to devices on the solder side of motherboard
- Equipped with Flex 180W AC ATX power supply with power cord hook
- LED indicators for system fault detection
- Optional WLAN 802.11 b/g module and VESA mounting kit
- Supports dedicated Advantech motherboard: AIMB-210/258/262/270



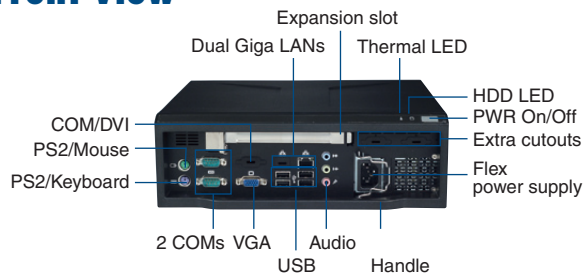
Specifications

Disk Drive Bay	2.5" (internal)	2	
Front I/O Openings	USB	4	
	PS/2	2	
	COM	2	
	DVI/COM	1	
	RJ-45	2	
	Audio	3 (Mic-in, Line-out, Line-in)	
	VGA	1	
	Expansion slot	1*	
	Reserved cutouts	2 x DB-9 and 2 x Wireless Antenna Opening	
Cooling	System Fan	ARK-6622H	ARK-6622L
		2 (6 cm/27.7CFM)	1 (6 cm/15.4CFM)
	Air Filter	Yes	Yes
Miscellaneous	LED Indicators	Power, HDD, Temperature	
	Control	Power switch	
Environment	Temperature	Operating 0 ~ 40° C (32 ~ 104° F)	Non-operating -20 ~ 60° C (-4 ~ 140° F)
	Humidity	10 ~ 85%, @ 40° C, non-condensing	10 ~ 95%, @ 40° C, non-condensing
	Vibration (5 ~ 500 Hz)	1 Grms	2 G
	Shock	10 G (with 11ms duration, half sine wave)	30 G
	Physical Characteristics	Dimensions (W x H x D)	272 x 88 x 232 mm (10.7" x 3.5" x 9.1")
	Weight	3.49 kg (7.68 lb)	

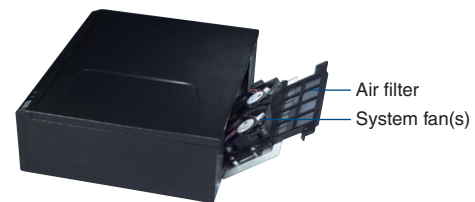
* The expansion slot is supported by dedicated riser cards, so an optional riser card is required for the add-on card.

* 176 mm (W) x 22 mm (H) space is available for add-on cards to assemble in slot.

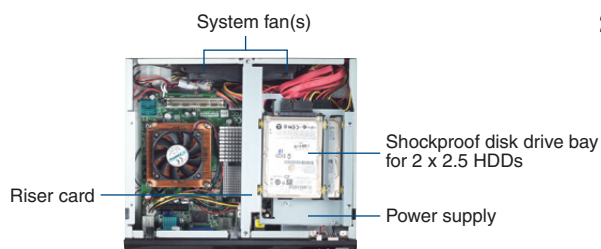
Front View



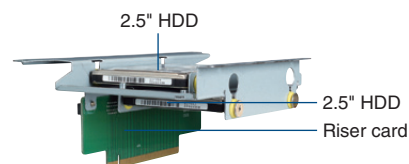
Rear Cover for Replacing Fans



Inside View

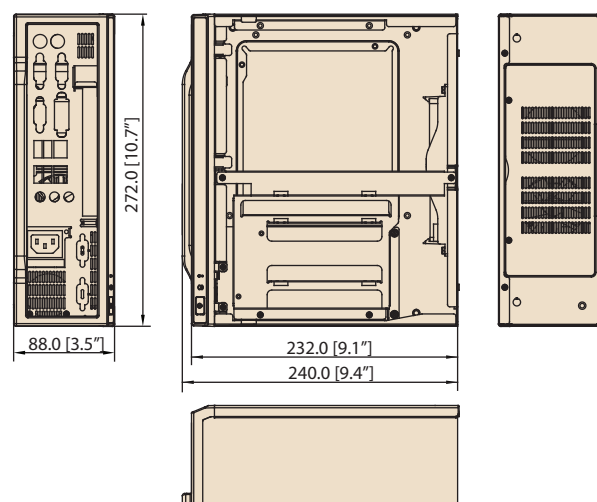


2.5" HDDs and Riser Card Bracket



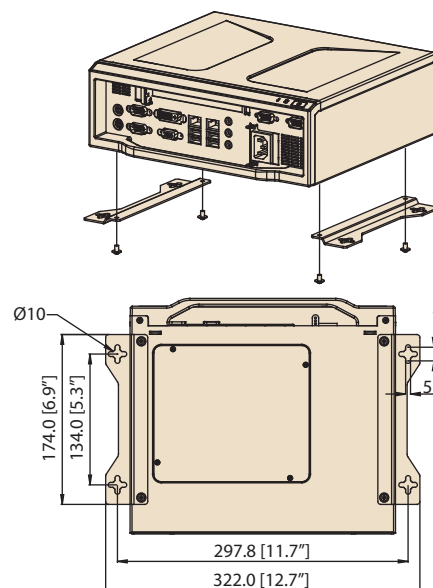
Dimensions

Unit: mm [inch]



Installation

Unit: mm [inch]



Power Supply Options

Part Number	Watts	Input	Output	Specifications		
				Mini-Load	Safety	MTBF
1757000878 (ATX, PFC)	180 W	AC 100 ~ 240 V	+5 V @ 16 A, +3.3 V @ 14 A, +12 V @ 14 A, -12 V @ 0.5 A, +5 Vsb @ 2 A	+5 V @ 0.3 A, +3.3 V @ 0.3 A, +12 V @ 0.3 A	UL/TUV/CCC/CB	100,000 hours @ 25° C

Ordering Information

Part Number	Power Supply	System Fan	Recommended Motherboard	Recommended Riser Card	Regulations
ARK-6622H-18ZE	1757000878	1750006419 x 2	AIMB-270/262	9892662210E	CE, FCC
ARK-6622L-18ZE	1757000878	1750005863 x 1	AIMB-258 AIMB-210	9892662210E 9892662200E	CE, FCC

Optional Accessories

Part Number	Description
1960046922S000	1U LGA775 CPU cooler for AIMB-262
9892662200E	PCI Interface Riser Card (for AIMB-210)
9892662210E	PCIe x16 Interface Riser Card (AIMB-258/262/270)
98R2662001E	VESA mounting kit
ARK-WLAN-USBE	Wireless LAN module with USB interface